

4.5 mm Square Tact Switch (Vertical / R/A, SMT/TH Type)



TSG-3F/3G/3HS/T-XXX


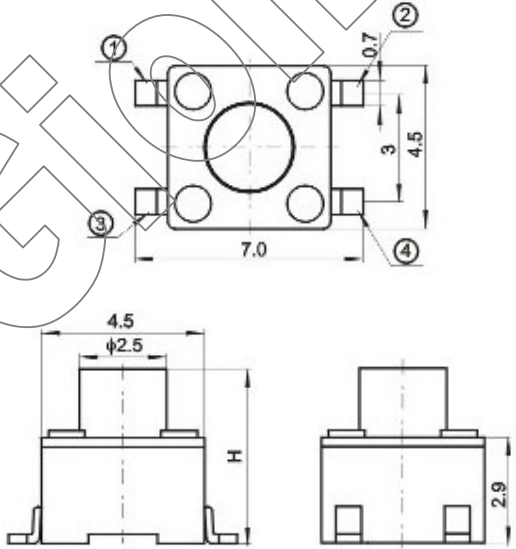
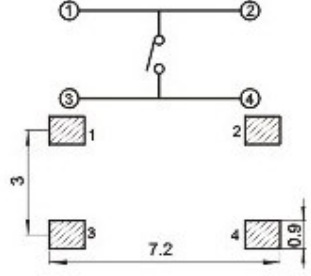
TS - Tact Switch
G - G Series
3F / 3G / 3H - Type
S / T – SMT Type, TH Type
XXX - Action Force (gram)


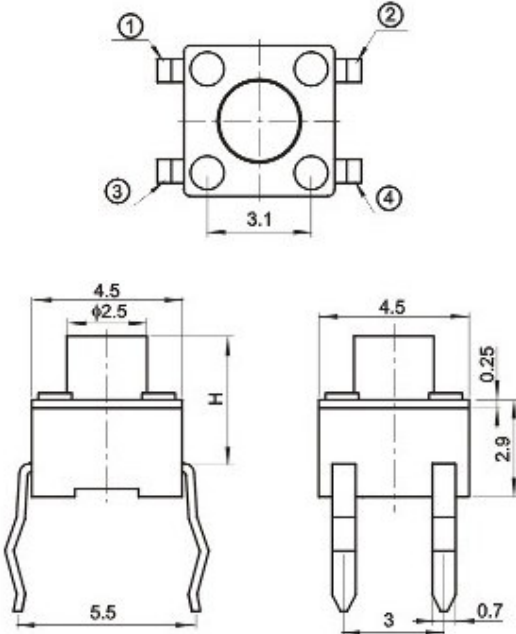
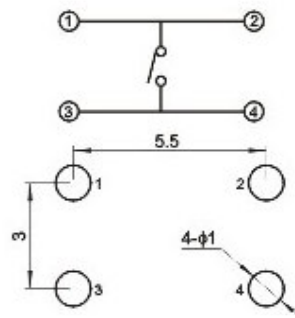

SPECIFICATIONS

Mechanical Life:	100,000 cycles
Operating Force:	180g±50g, 250g±50g
Travel:	0.25±0.1mm
Rating:	50mA 12V DC
Dielectric withstanding:	250V AC/minute
Insulator resistance:	≥ 100 MΩ at 100V
Contact resistance:	≤ 100 mΩ/Contact
Operating temperature:	-30°C ~ +85°C
Storage temperature:	-40°C ~ +85°C

Material

Base:	PA66/PA6T/LCP, UL94V-0
Contact material:	Phosphor Bronze
Contact Spring Plating:	Stainless Steel/Silver Plating

Physical Picture	Outline Drawing	Circuit
 <p>TSG-3FS-XXX</p>		

 <p>TSG-3GT-XXX</p>		
 <p>TSG-3HT-XXXH</p>	